



1F Piezo Diaphragm Vacuum Gauge

Part Number: **2-2108-001**

Operating Specifications	
Operating Range	10 Torr to 10000 Torr
Analog Output	Controller-dependent
Mounting Orientation	Any
Calibration Medium	Dry air or nitrogen
Overpressure	200 PSI
Analog Output Resolution	Controller-dependent
Operating Temperature	0 °C to 50 °C
Storage Temperature	-40 °C to 85 °C
Maximum Bakeout Temperature	120 °C
Response Time	≤ 100 ms
Accuracy	
10 to 100 Torr	±10 Torr
100 to 10000 Torr	±10% of reading
Analog Output	±10 mV

Physical Characteristics	
Electrical Connections	Octal male
Weight	126 g (0.28 lbs) (NW25)

- ### Key Features and Benefits
- Gas independent measurement
 - Competitively priced
 - Compact, robust design
 - Excellent resolution and repeatability
 - Minimal sensor to sensor output variation
 - Excellent customer support

- ### Applications and Industries
- E-beam welding
 - Liquefied Natural Gas (LNG), industrial gas, cryogenics
 - National labs, research and development
 - Thin film deposition
 - Vacuum furnace, heat treat

Ordering Information

Part Number	Description
2-2108-001	1/8" NPT Nickel-Plated Brass

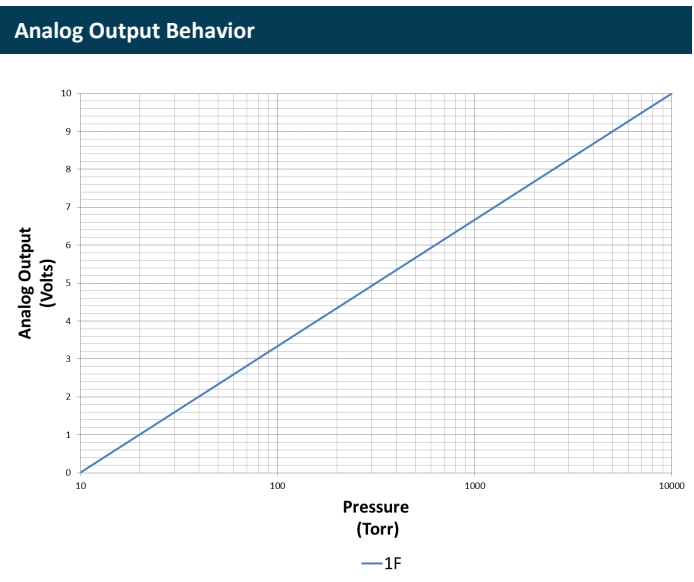
Compatible Vacuum Controller

Part Number	Description
2-7900-034	MX200 Vacuum Controller RS-232/RS-485/USB
2-7900-037	MX200 Vacuum Controller Ethernet/IP/USB

Click to Buy Online from Fredericks Now!

Description

The **1F Piezo diaphragm vacuum gauge** has a measurement range from 10 Torr up to 10000 Torr. It directly measures absolute pressure by detecting the deflection of a diaphragm. This sensor is available with a 1/8" (0.125") NPT nickel-plated brass flange.



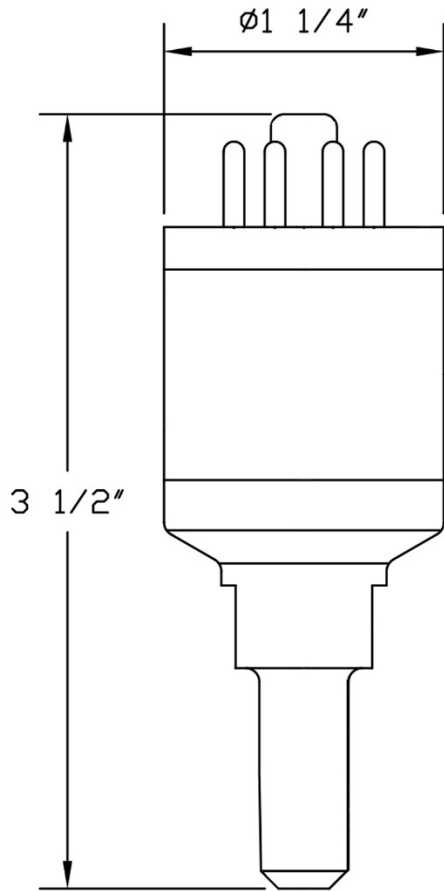
- ### Materials Exposed to Vacuum
- Gold
 - Solder
 - Glass
 - Alloy 52
 - Nickel
 - Silicon
 - Pyrex
 - RTV
 - Aluminum

- ### Ratings and Compliance
- RoHS compliant



1F Piezo Diaphragm Vacuum Gauge
Part Number: 2-2108-001

Dimensional Drawing



Additional Documentation

- [AN3010 Torr Scientific/Torr Decimal/mTorr/Micron Conversions](#)
- [AN3015 Recommended Practices for Vacuum Calibration](#)
- [AN3020 Vacuum Terminology Reference](#)
- [Resource Televac® Tolerances](#)

Company Information

Specialty manufacturing services that promise precision -

For more than 85 years, Fredericks has specialized exclusively in tilt and vacuum measurement products. Today, our precise manufacturing processes produce the most accurate and advanced products on the market, ensuring perfection every time. A true specialty service provider, we are willing and eager to put our experience and capabilities to good use, helping OEMs achieve even the most complex designs.

High performance products designed and manufactured with pride -

Fredericks is a global provider and U.S. manufacturer and designer of high-performance tilt and vacuum measurement products. Built to last, our products are made with state-of-the-art sensing technology, proven processes, and an intrinsic passion for the trade. Offering simple integration and quality and safety benchmarks, our customers benefit not just from standard-setting reliability, but from our commitment to competitive pricing and performance.

A partnership that prioritizes uptime, lead time, and service -

Fredericks guarantees customer satisfaction and our 'not too big, not too small' operation is what enables us to offer a true partnership experience. Our dedicated representatives and engineers offer exceptionally responsive service and some of the fastest lead times in the industry, knowing that uptime is the key to your success. With anytime-access to our leadership team and solutions that enhance your products, you will feel the Fredericks difference.

Vacuum measurement tools built for the toughest jobs -

Fredericks' world-class vacuum sensors, gauges, and control instrumentation are engineered for the most demanding applications and environments. Our patented Televac® and ETI vacuum brands feature cold-cathode technology, thermocouple and convection gauges, and precision-manufactured hot ionization gauges. Dedicated solely to vacuum gauging and calibration services, we provide industrial heating, national laboratories, cryogenics, and industrial gas applications, among many others, with fast lead times and industry-leading performance. Covering the entire practical vacuum range, our products deliver rapid response vacuum readings and superior sensitivity.

Contact Us

The Fredericks Company
 2400 Philmont Avenue
 Huntingdon Valley, PA 19006
 tel: +1 215 947 2500
 fax: +1 215 947 7464
 email: sales@frederickscompany.com
 web: www.frederickscompany.com

Disclaimer: Specifications subject to change without notice. The Fredericks Company assumes no responsibility for inaccuracies in product specifications or any liability arising from product use.
 © 2022 The Fredericks Company